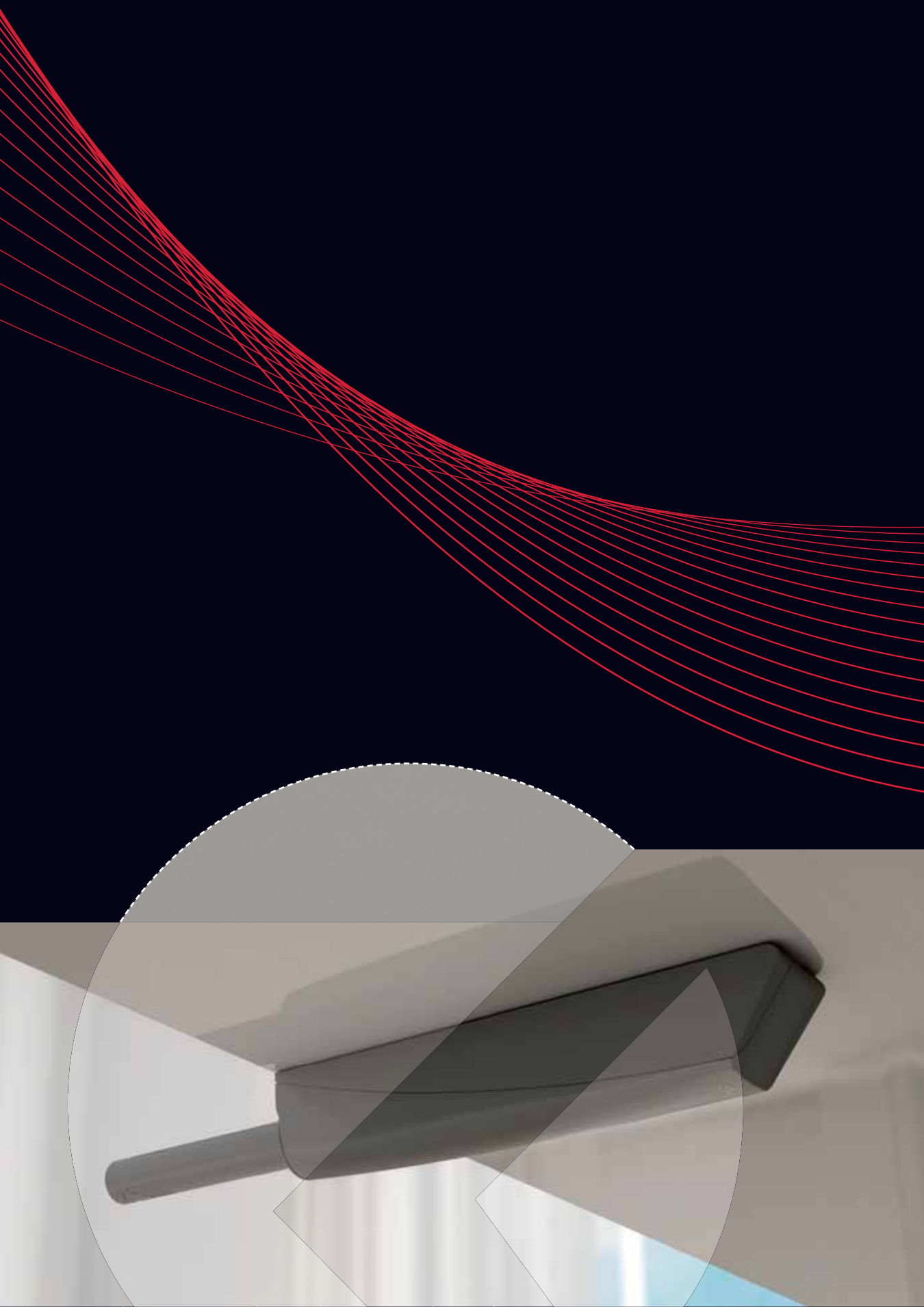


K PUSH TECH



PUSH CATCHES  
AND MAGNETIC  
CATCHES



## K PUSH TECH

**K PUSH TECH** is the fully renewed and extended program of automatic opening systems for doors without handles or knobs.

A special inner mechanism provides a very silent, yet powerful utilization, granting a long durability which makes it perfectly suitable for a wide range of doors.

**K PUSH TECH** is available:

- with buffer, for cabinets using sprung hinges.
- with magnet, for cabinets using unsprung hinges or negative hinges (Highest magnet strength available in the market).

**K PUSH TECH** program, includes an innovated range of spring strengths and three lengths of the output paths:

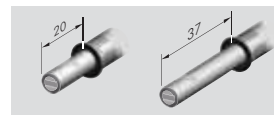
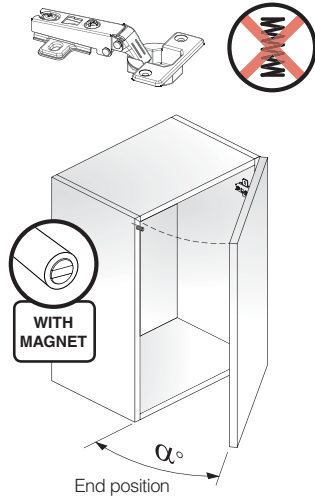
Short – 14 mm, Medium – 20 mm, Long – 37 mm.

Gap between door and cabinet is reduced: activation gap is 1,4 mm, ring thickness is 0,6 mm.

Wide adjustment feature: +6 / -0.45 mm; beyond this negative adjustment the spring is deactivated.



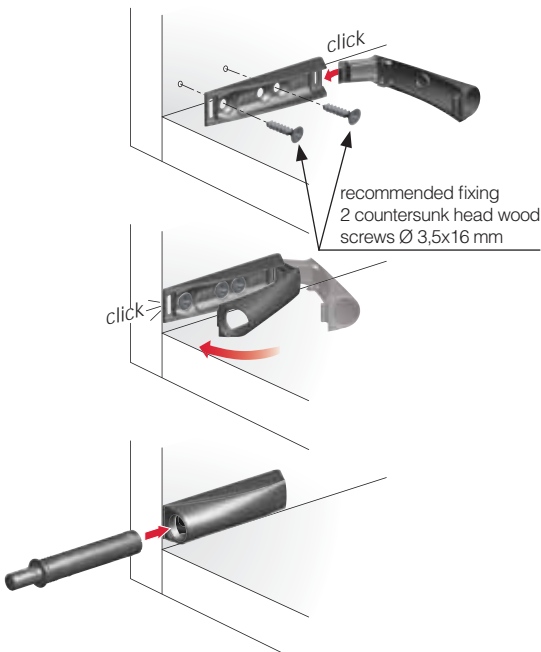
### APPLICATION WITH UNSPRUNG HINGES



Door dimensions	Range weight	α° end door position	
Small door size	2 - 5 kg	± 37°	± 55°
Medium door size	5 - 8 kg	± 30°	± 45°
Large door size	15 - 18 kg	± 28°	± 40°
Maxi door size	30 - 35 kg	± 20°	± 30°

Small and Medium door size tested with 2 hinges. Large and Maxi size doors tested with 5 hinges. Please note that test results are indicative. End door position may vary depending on hinge brand.

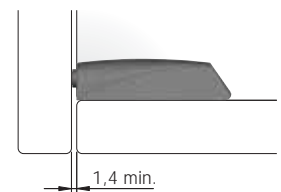
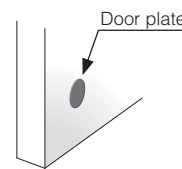
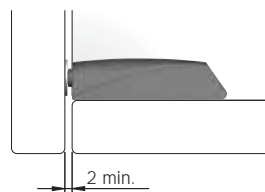
### INSTALLATION THROUGH ADAPTER HOUSING



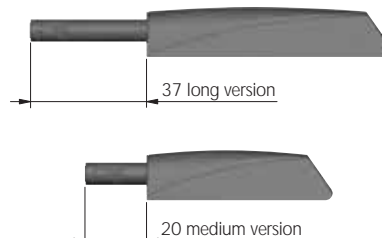
WITH MAGNET for cabinets using **unsprung hinges** or **negative hinges**.

For details refer to "K PUSH TECH AND K LOCK DOOR PLATES".

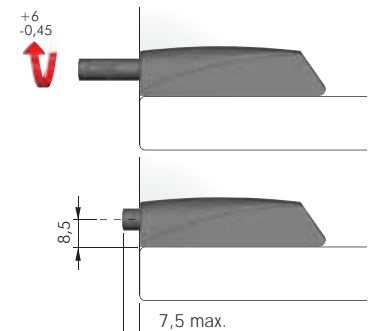
WITH BUFFER for cabinets using **sprung hinges**.

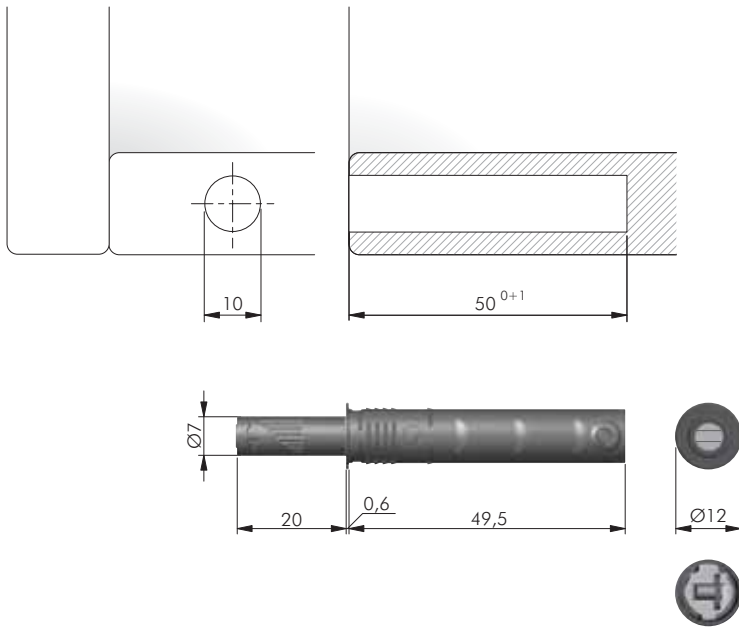


### VERSIONS



### ADJUSTMENTS



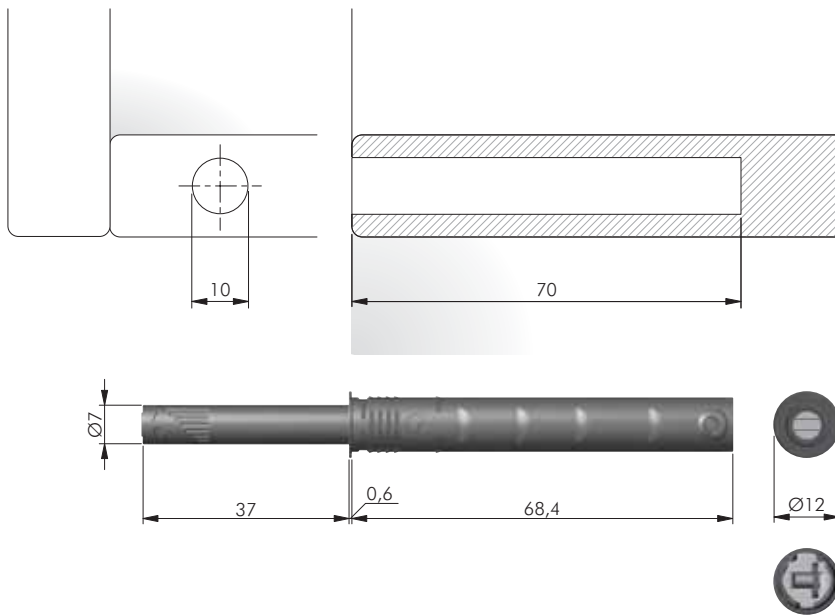


ST EP = 100 pcs.

57004020EE

57004020IJ

57004020AB

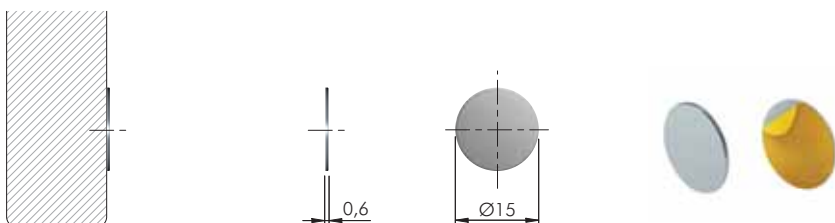


ST EP = 100 pcs.

57008020EE

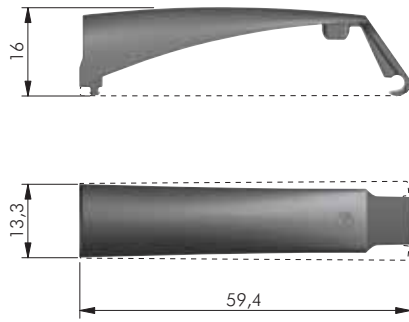
57008020IJ

57008020AB



ST = 100 pcs.

55006160XD



EP

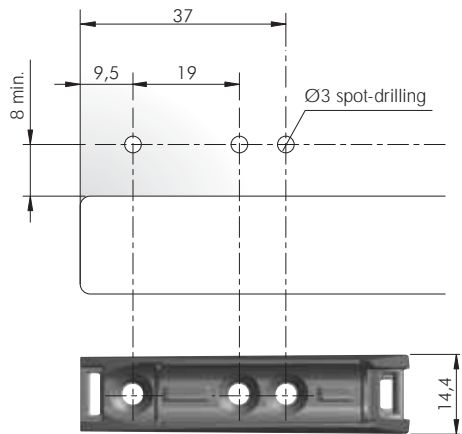
= 100 pcs.



57015020EE

57015020IJ

57015020AB



= Ø 3 mm

EP

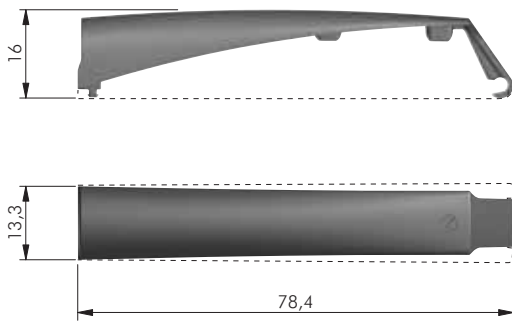
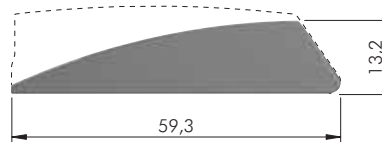
= 100 pcs.



57015040EE

57015040IJ

57015040AB



EP

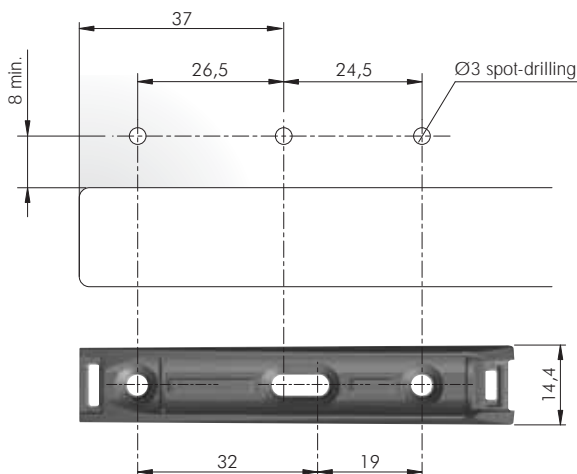
= 100 pcs.



57025020EE

57025020IJ

57025020AB



= Ø 2,5 mm

EP

= 100 pcs.



57025040EE

57025040IJ

57025040AB

