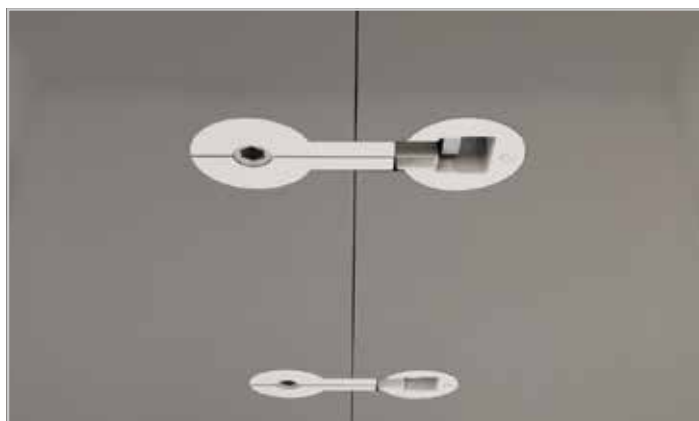




QUICK

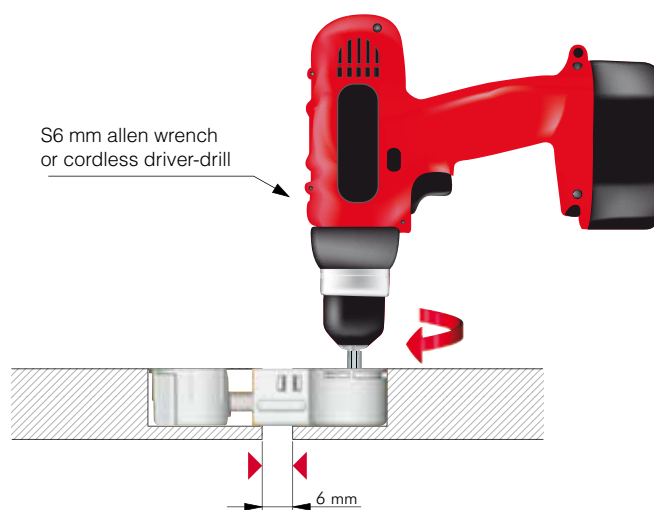
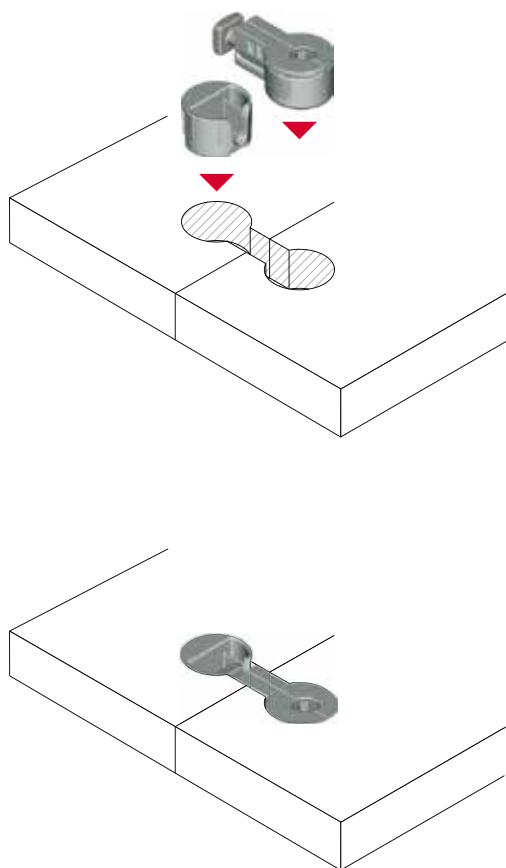


25 mm min.



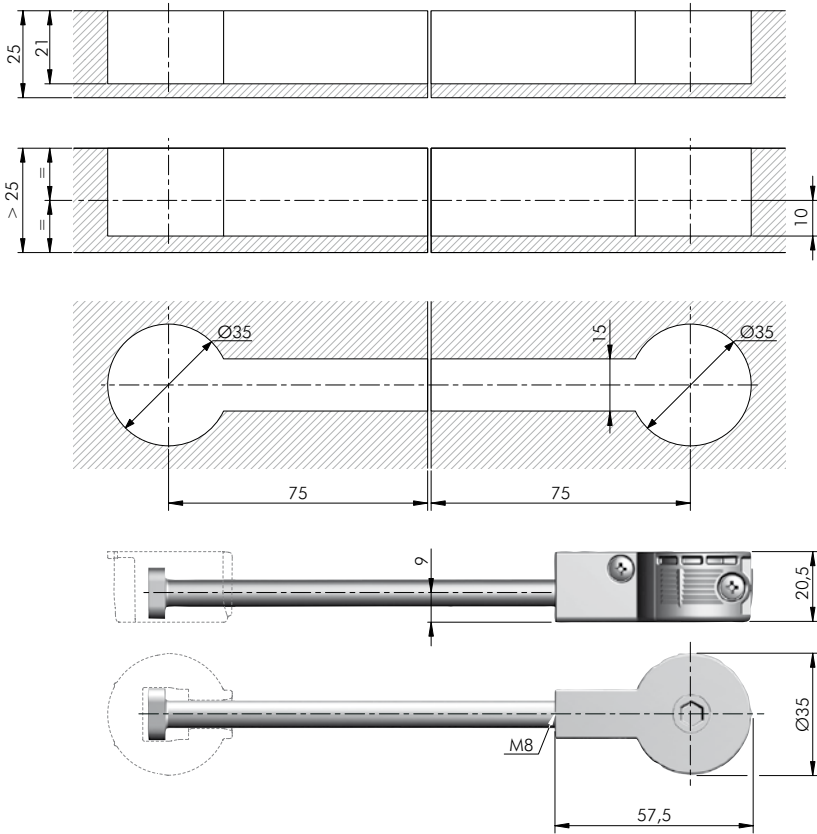
UNI 9429/89




Tested in accordance with CATAS procedures



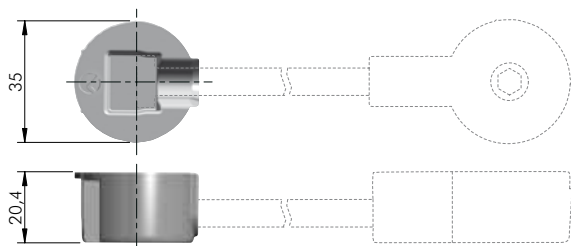




WORKTOP CONNECTORS



 = Ø 35 mm
  = S6
 = 150 pcs.

 123
 2162102000



 = Ø 35 mm
 = 500 pcs.

 123
 2162001000