

SERIES/PRODUCT

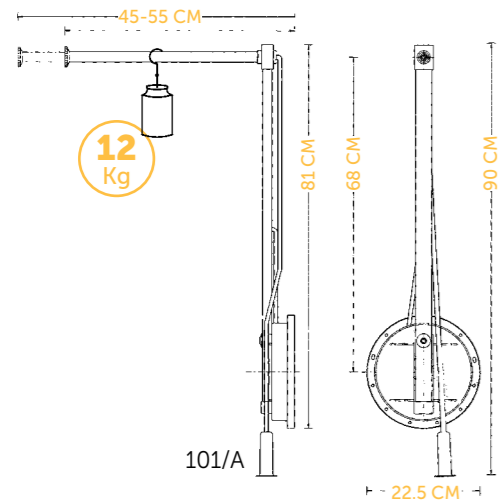
CODE

**Serie Lift**

**Lift**

101/A (R)

102/A (L)



SERIES/PRODUCT

CODE

**Serie Lift**

**Lift 300**

300/A

301/A (spacer)

